

# CISTERNA

## FIRECLAY 15" SINGLE BOWL SINK Model CCK110-15WH

Cisterna fireclay sinks are created with old world craftsmanship and thoroughly modern materials and technology.

### FEATURES

- CeramicPlus coating makes fireclay easy to clean and helps retain its look of luxury.
- Fireclay is a naturally sound-absorbing material that reduces the noise caused by a garbage disposal or running water.
- Pairs beautifully with a variety of work surfaces and it is a durable choice that stands up to heat, staining and impact with ease.

### TECHNICAL FEATURES

Overall Sink Size (OD)	17½" x 17½"
Bowl Size (ID)	15⅜" x 15⅜"
Bowl Depth (ID)	6⅞"
Corner Radius	68mm
Minimum Cabinet Size	21"
Installation Type	Undermount
Material	Fireclay
Weight	33 lbs.
Warranty	Limited Lifetime

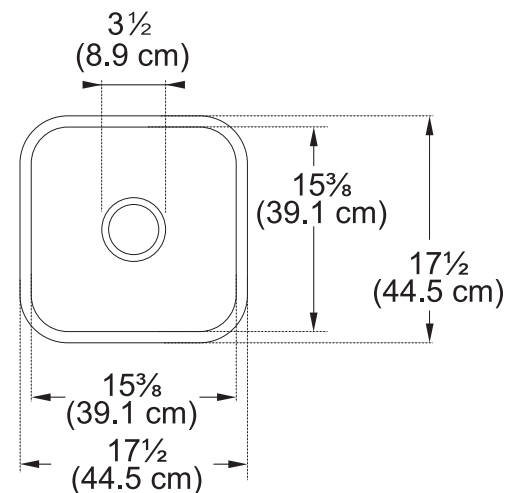
### OPTIONAL ACCESSORIES

Bottom Grid	CK15-36C
Cutting Board	OA-40S
Roller Mat	UV-36RM
Strainer Assembly	1145 / 1145SN

Product Image



Dimensional Drawing



Note: Dimensions may vary by 2% (plus or minus), due to material attributes and firing process. Sink color may vary between each model

