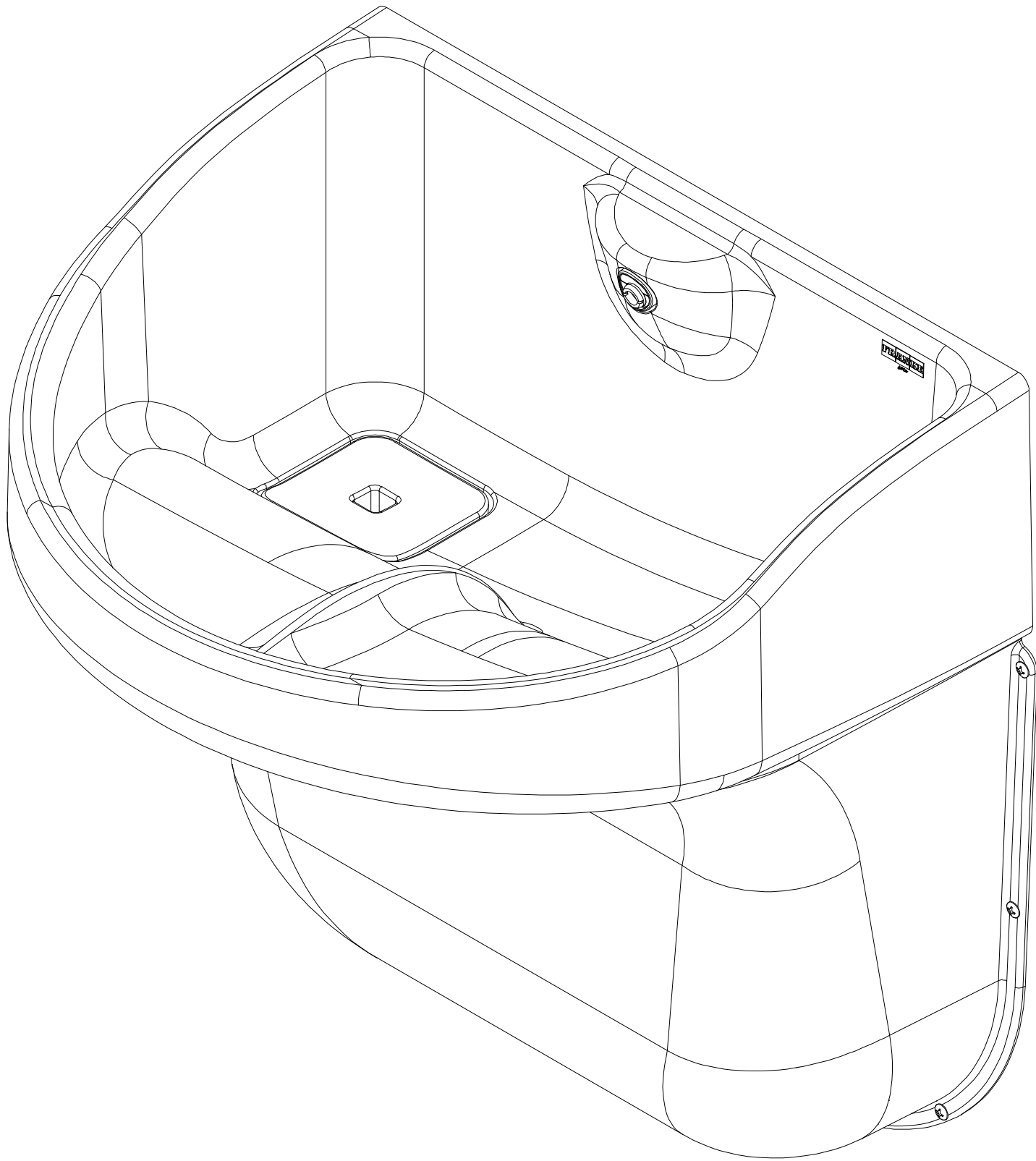
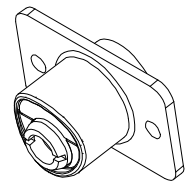
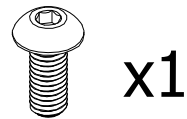
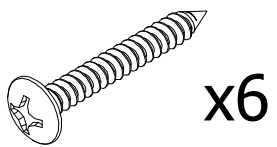
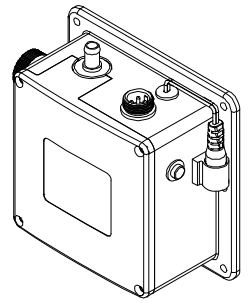
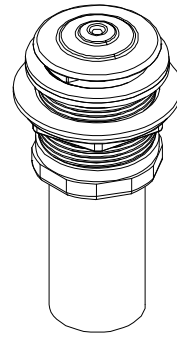
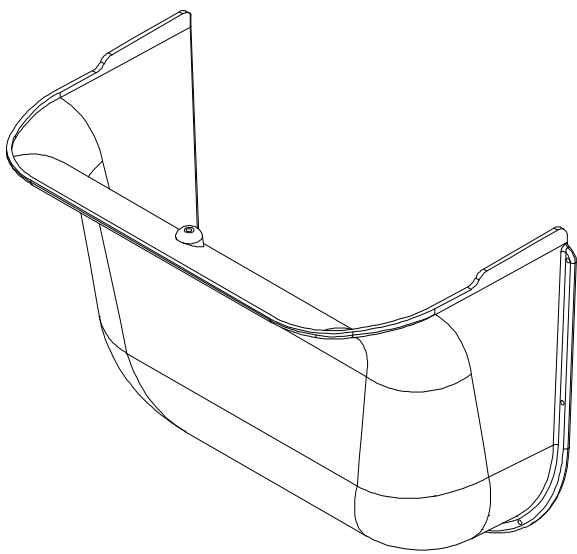
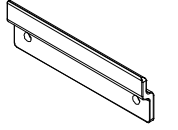
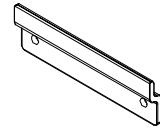
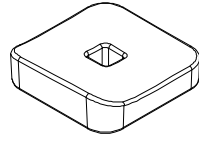
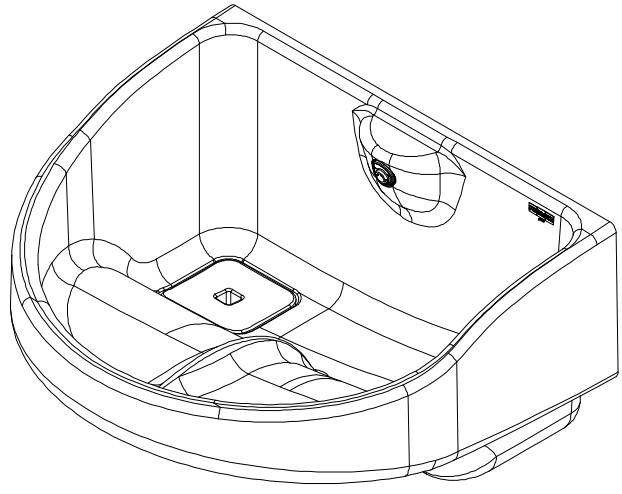
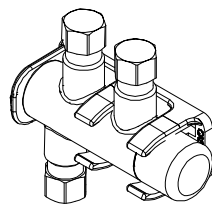


# AHWSS1720WIS-AL





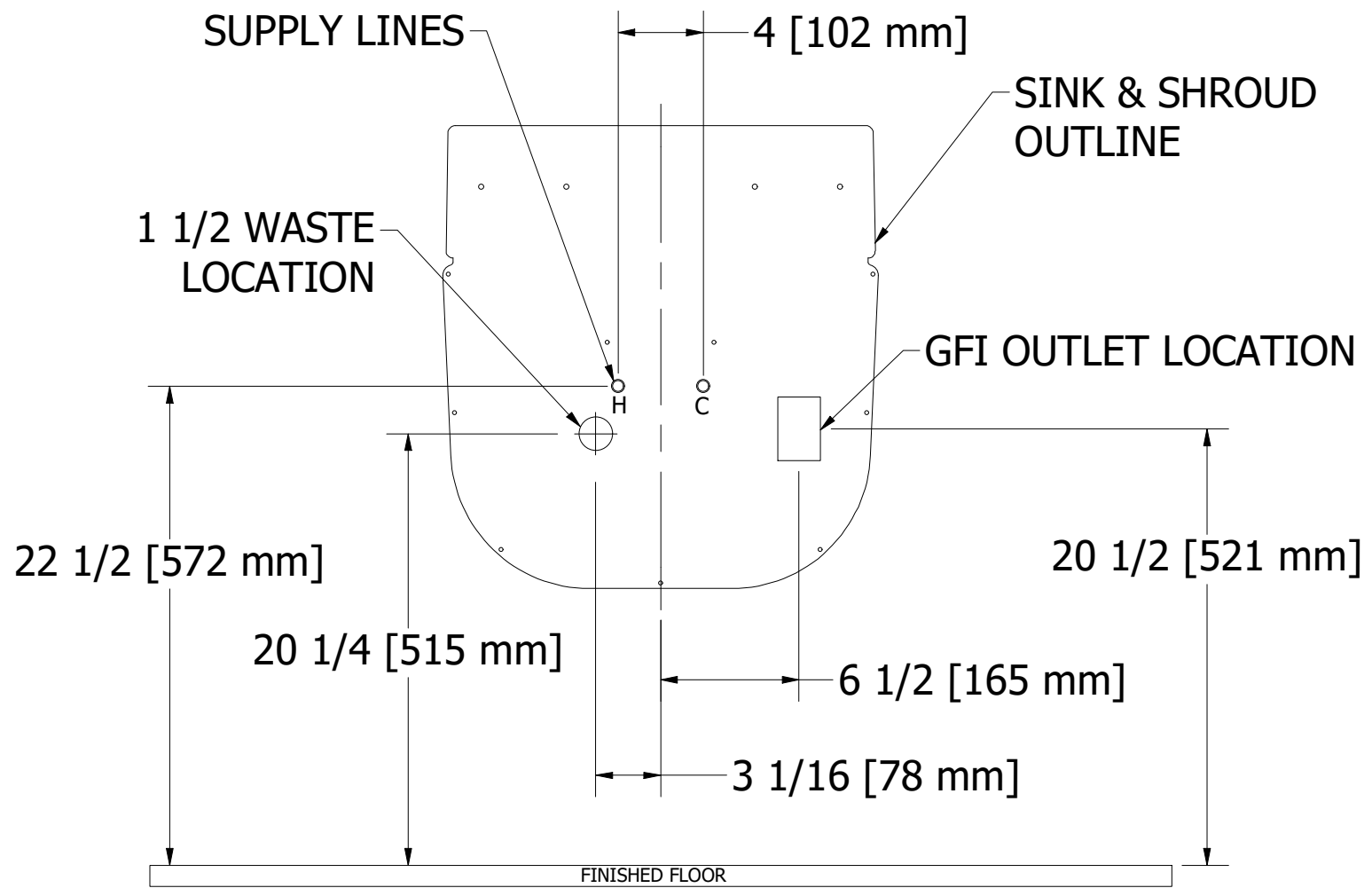
OPTIONAL



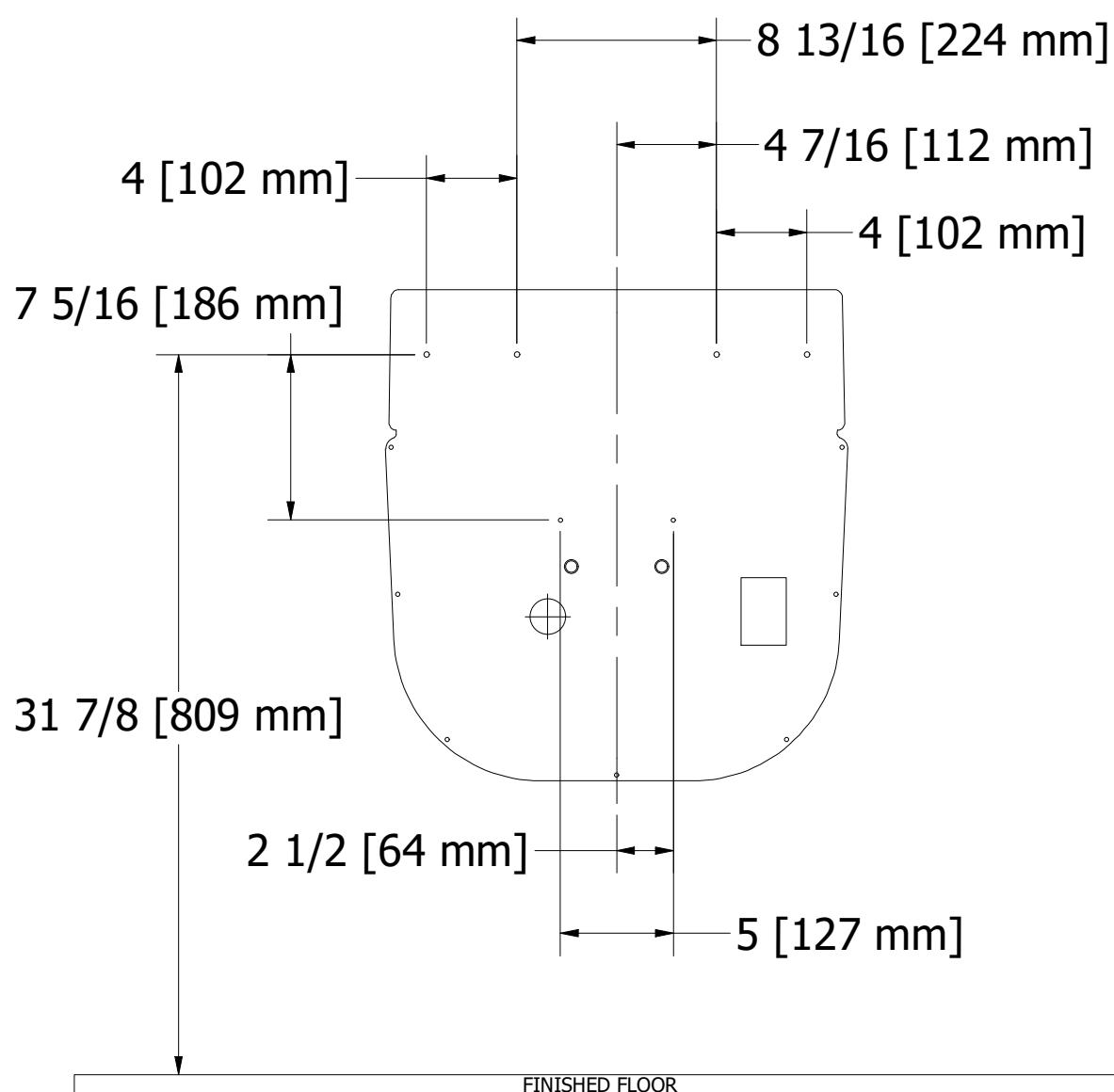
MIX-LF

# WALL OPENINGS LAYOUT

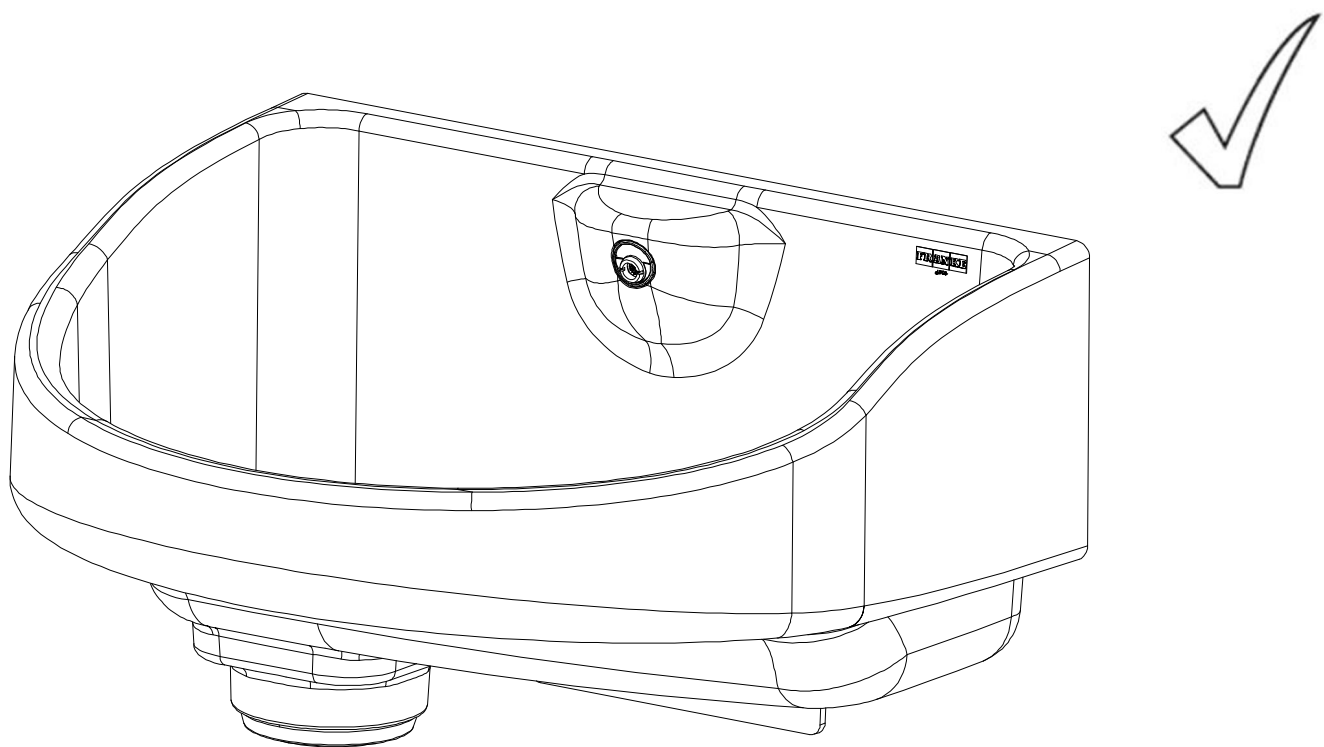
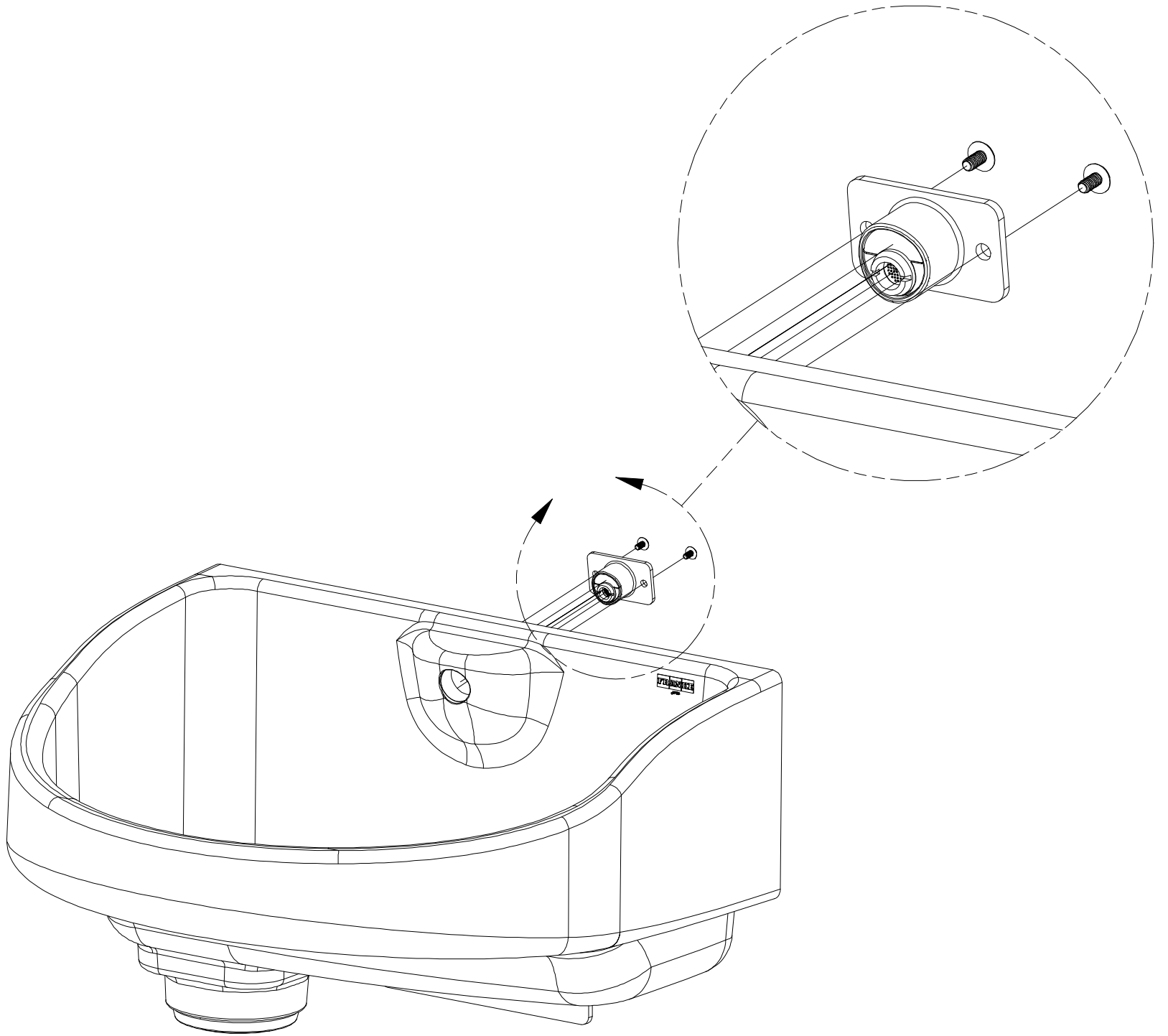
## A. UTILITIES



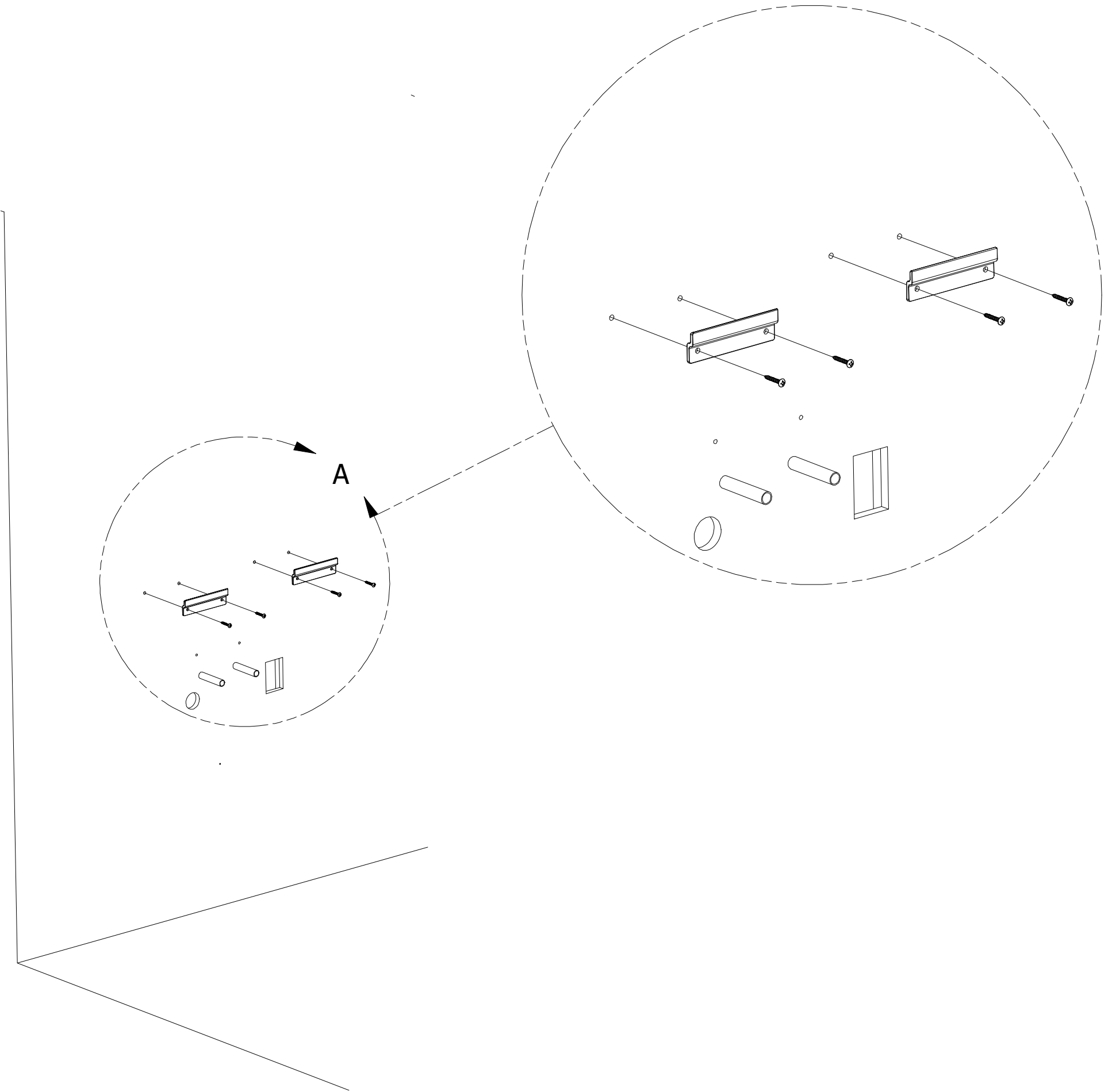
## B. WALL BRACKET MOUNTING



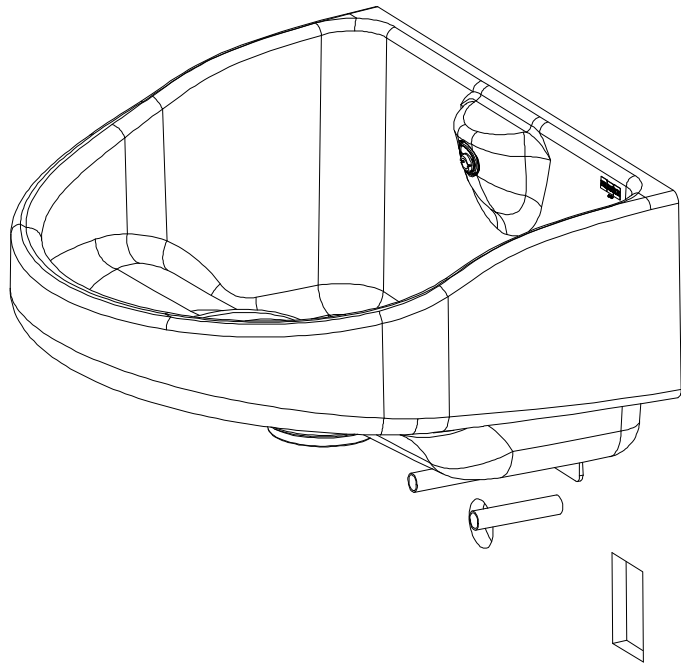
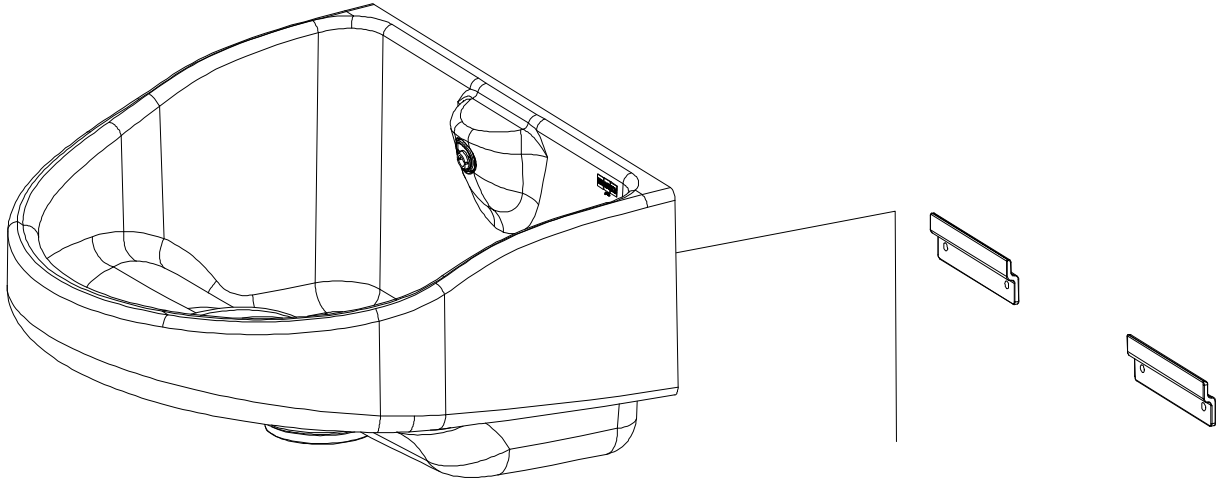
1



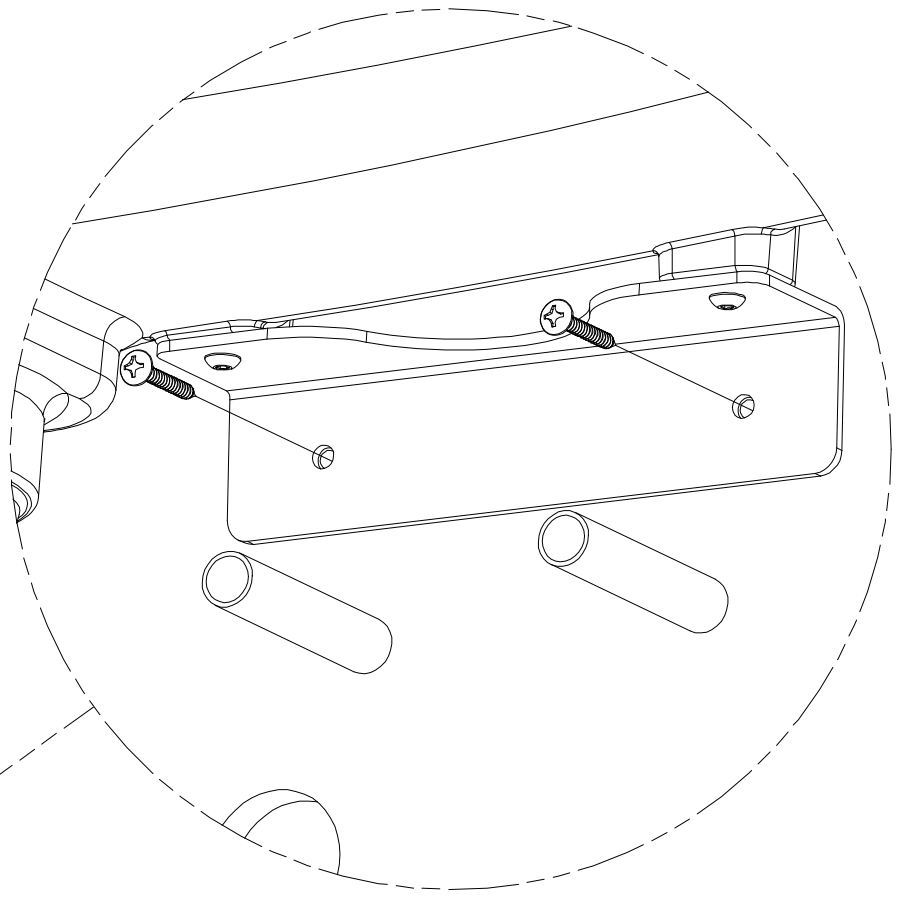
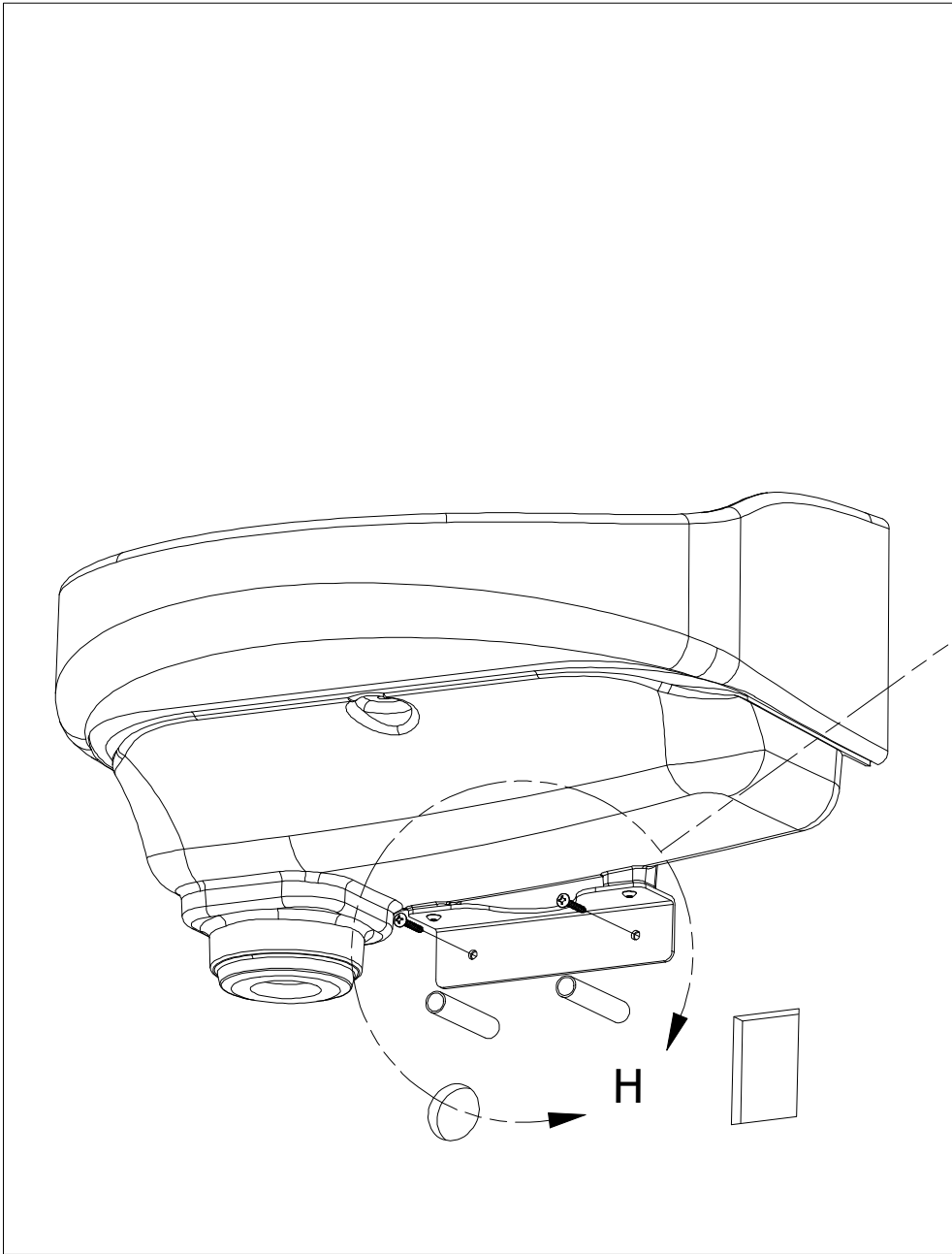
2

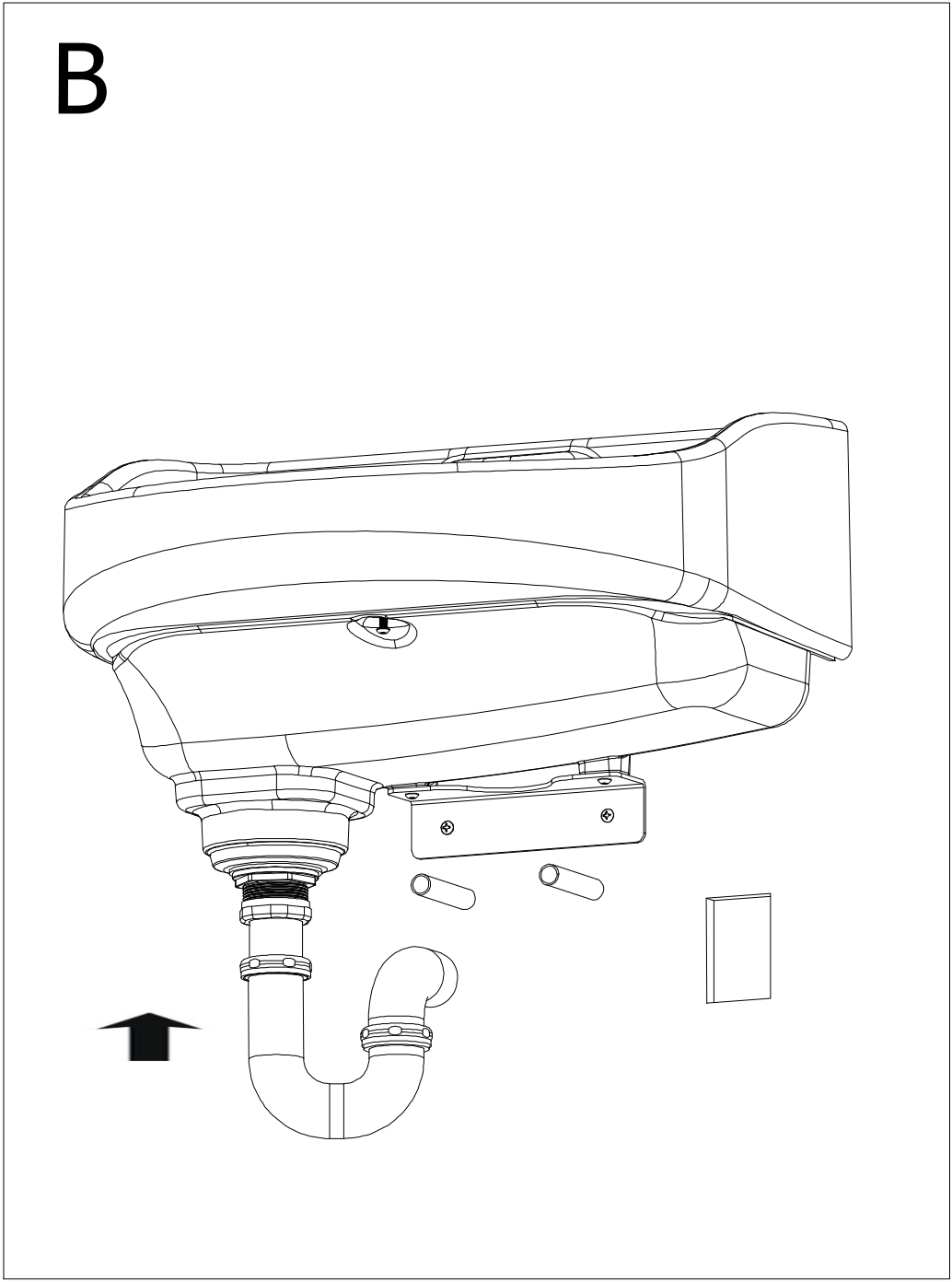
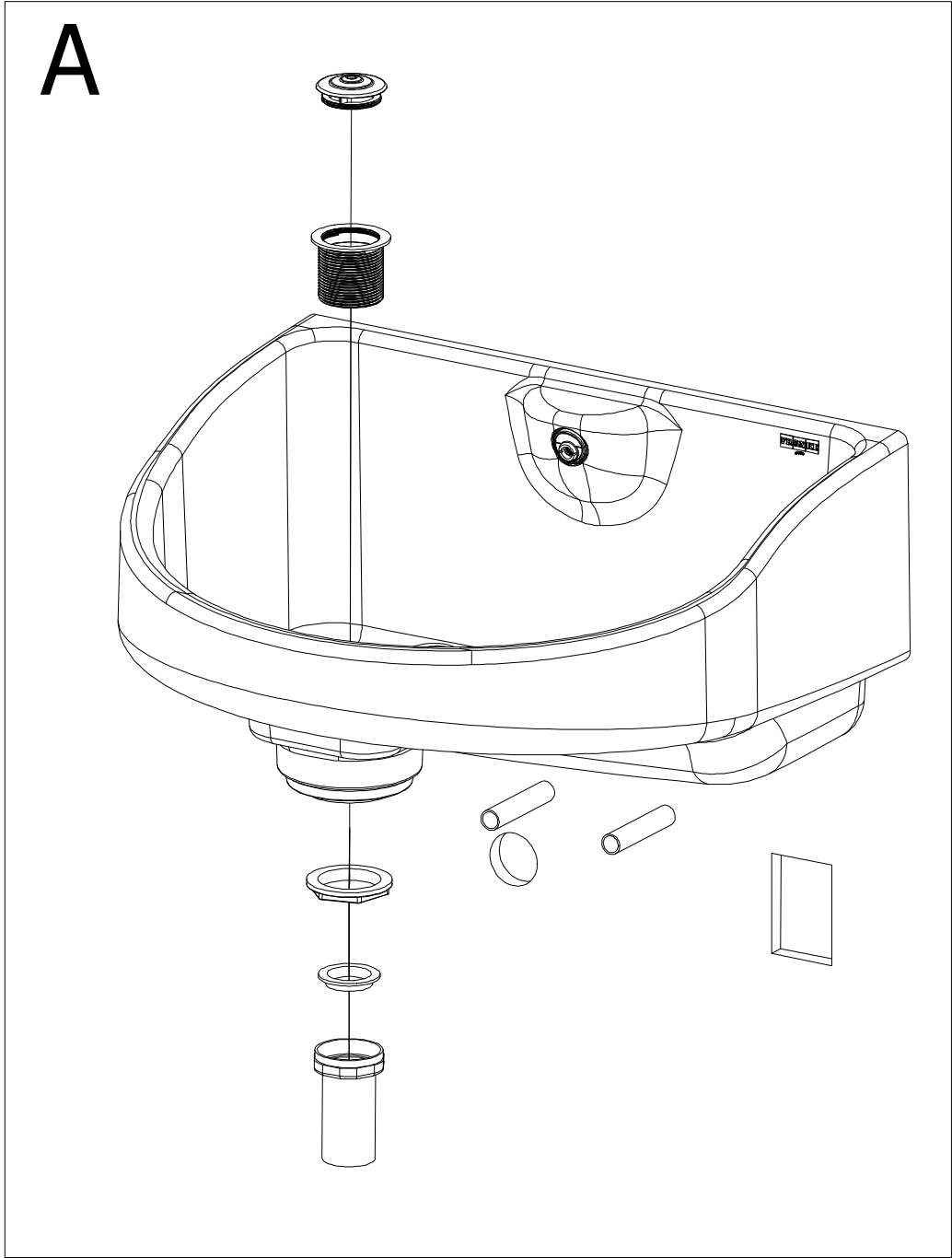


3



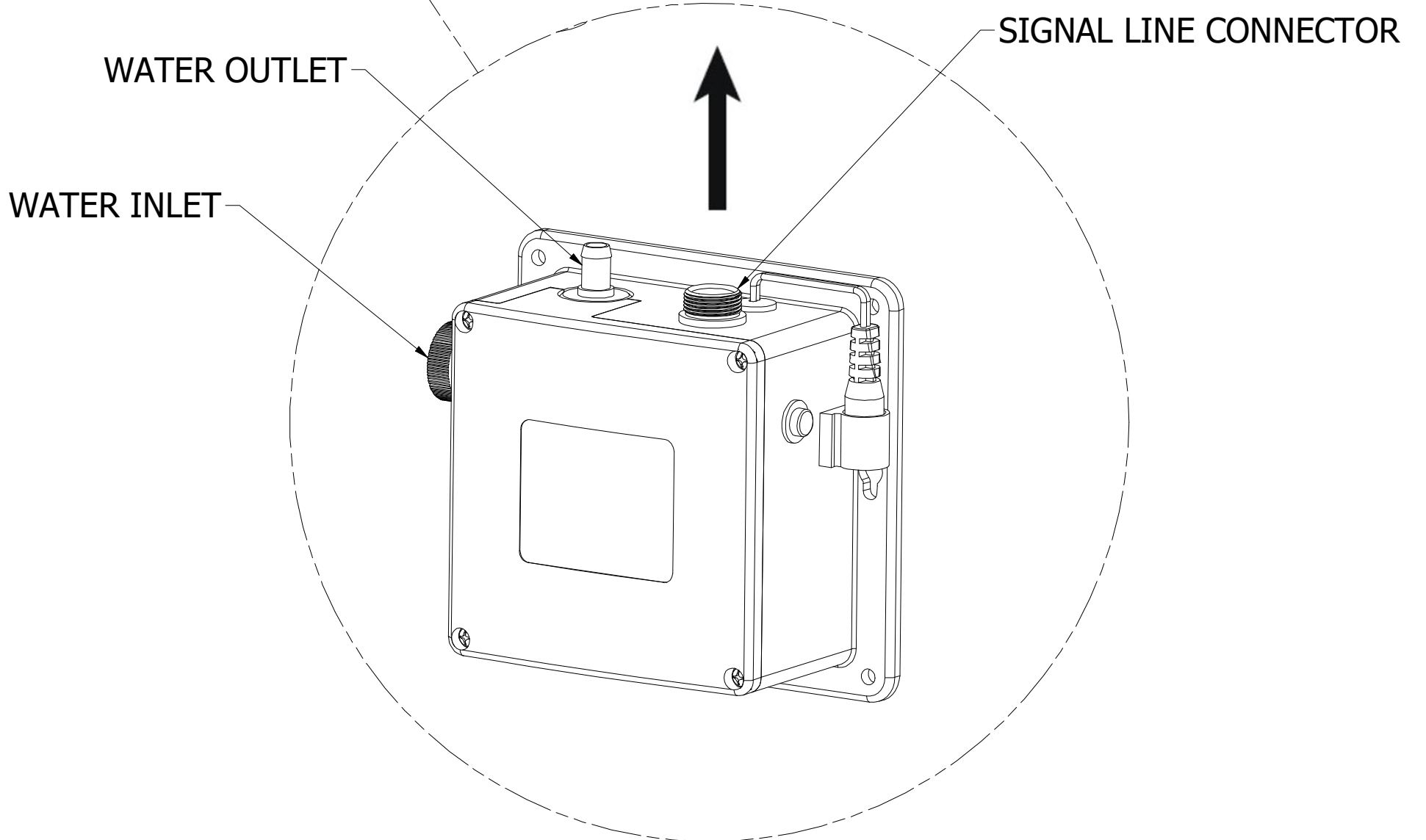
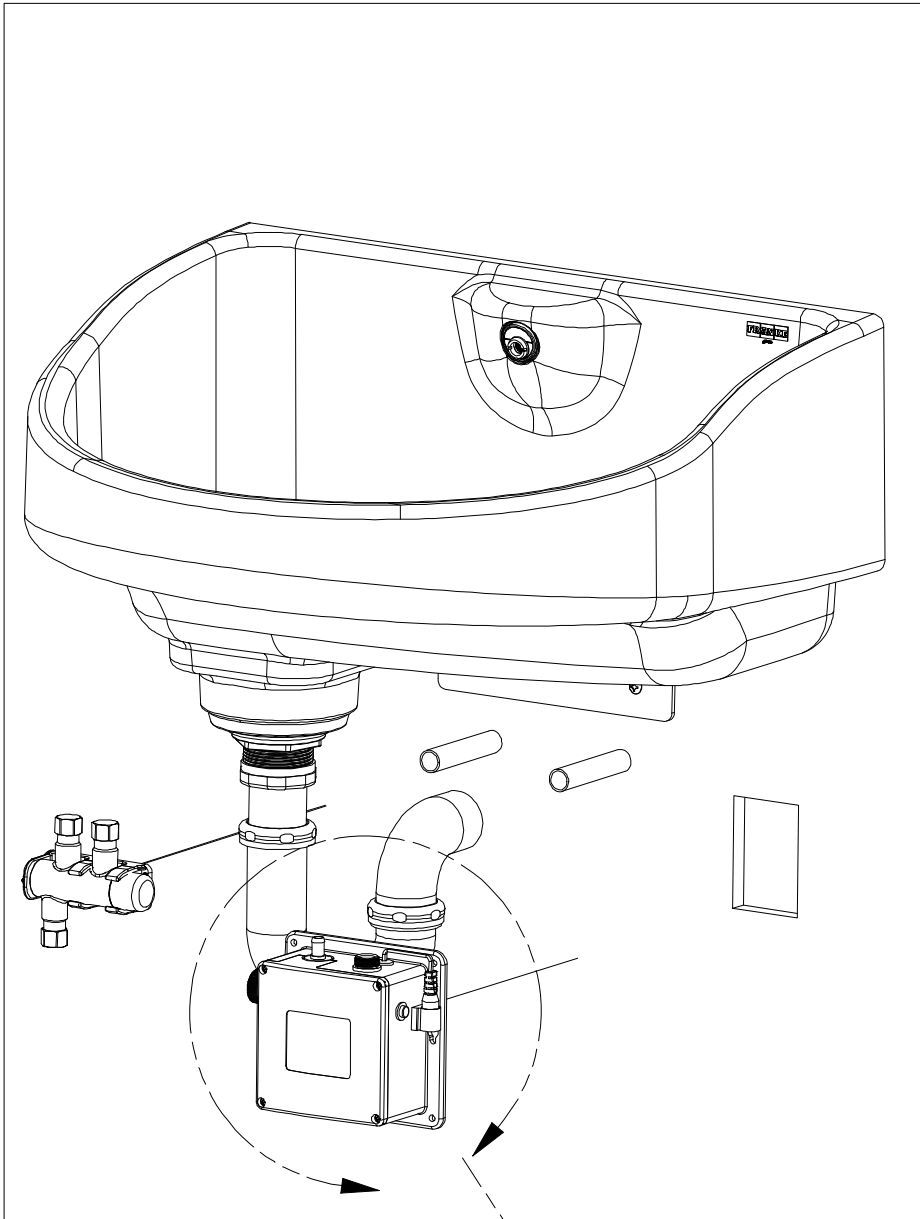
4



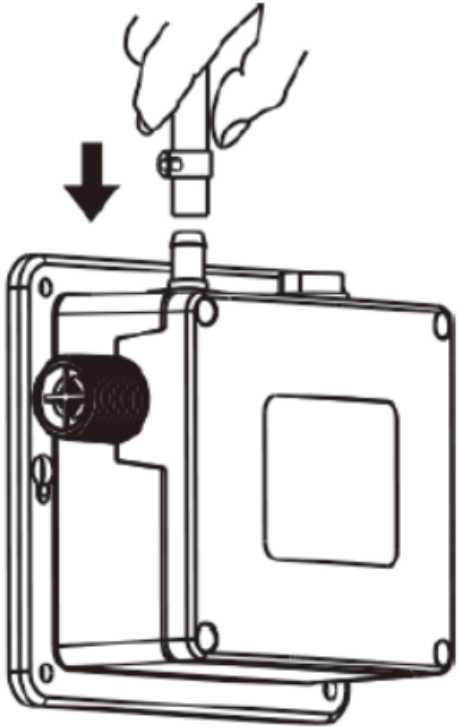




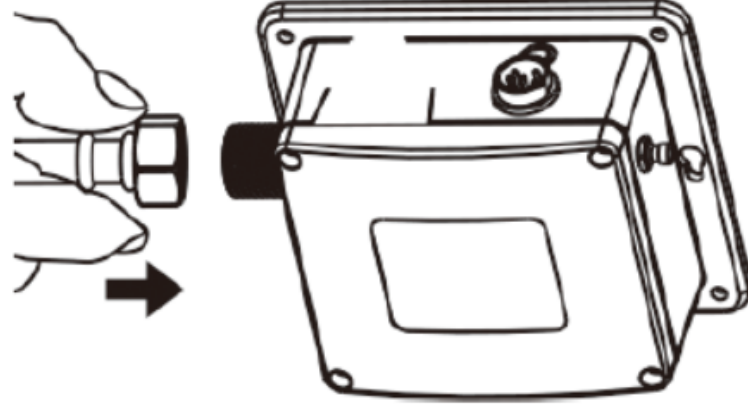
6



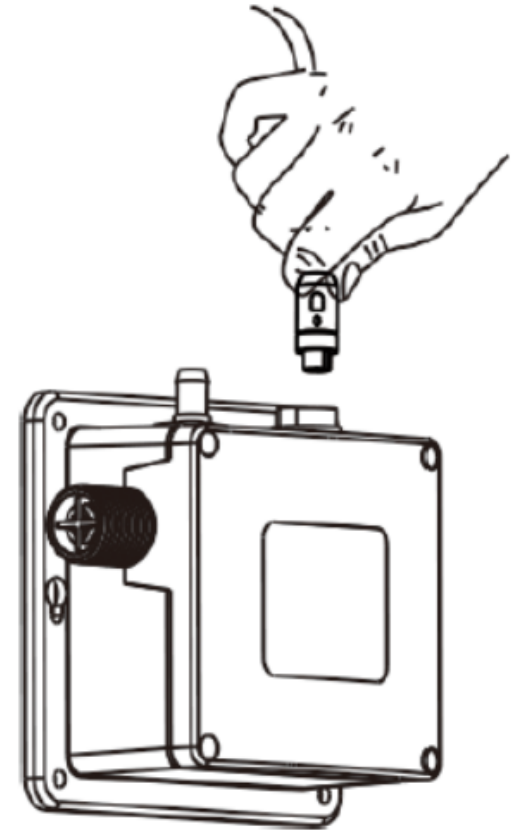
# 7



Connect water outlet hose from spout to control box. Secure with clamp.

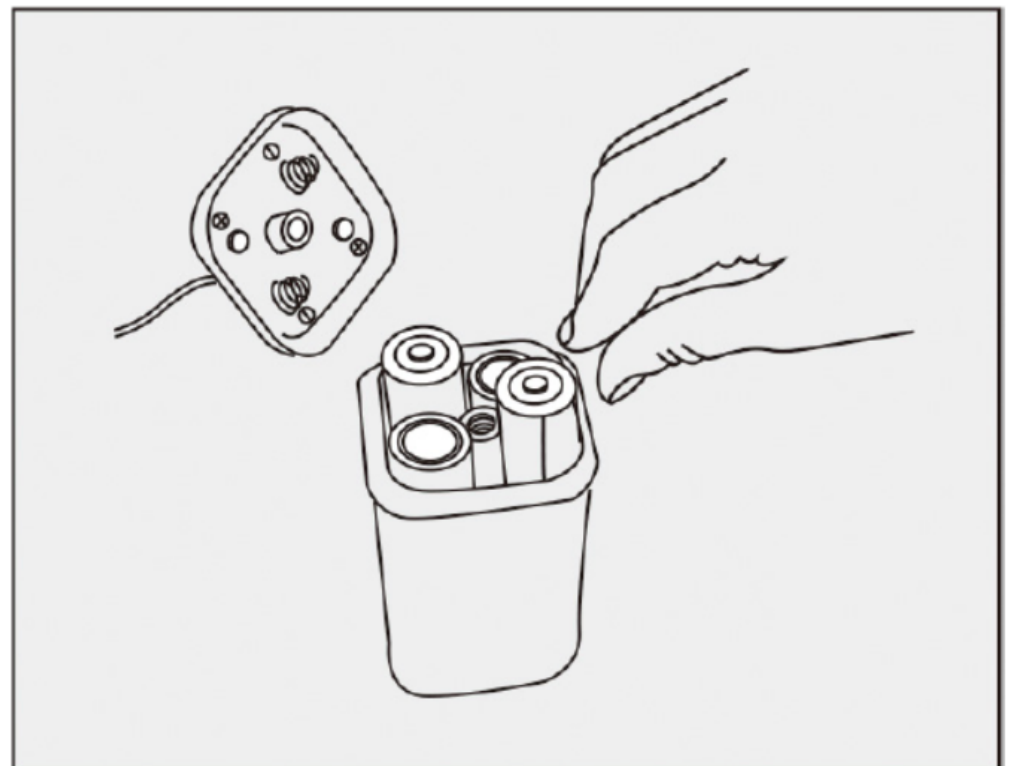
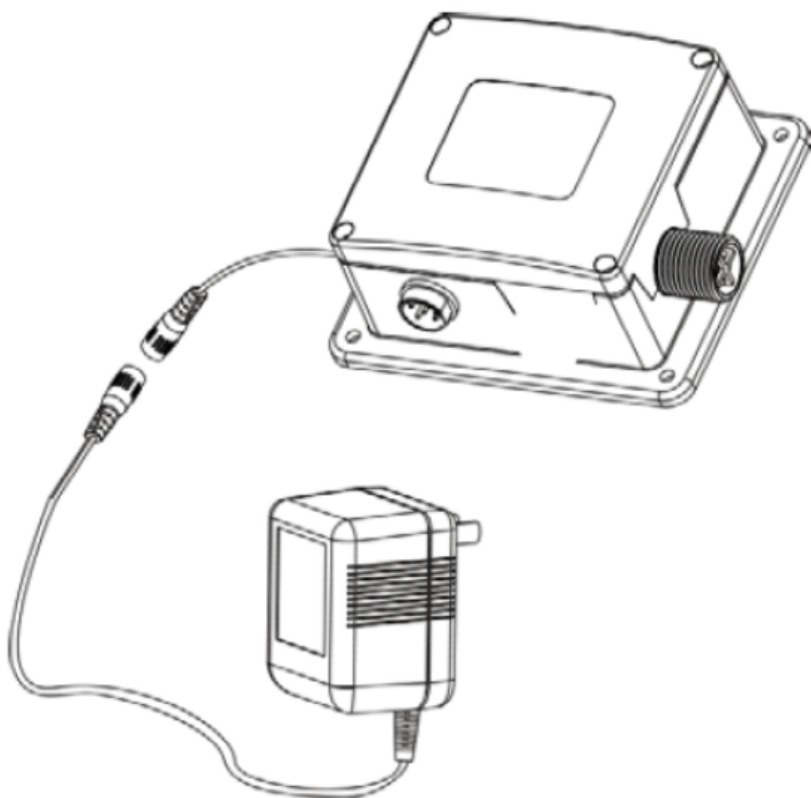


Connect G 1/2" water supply hose to the water inlet.



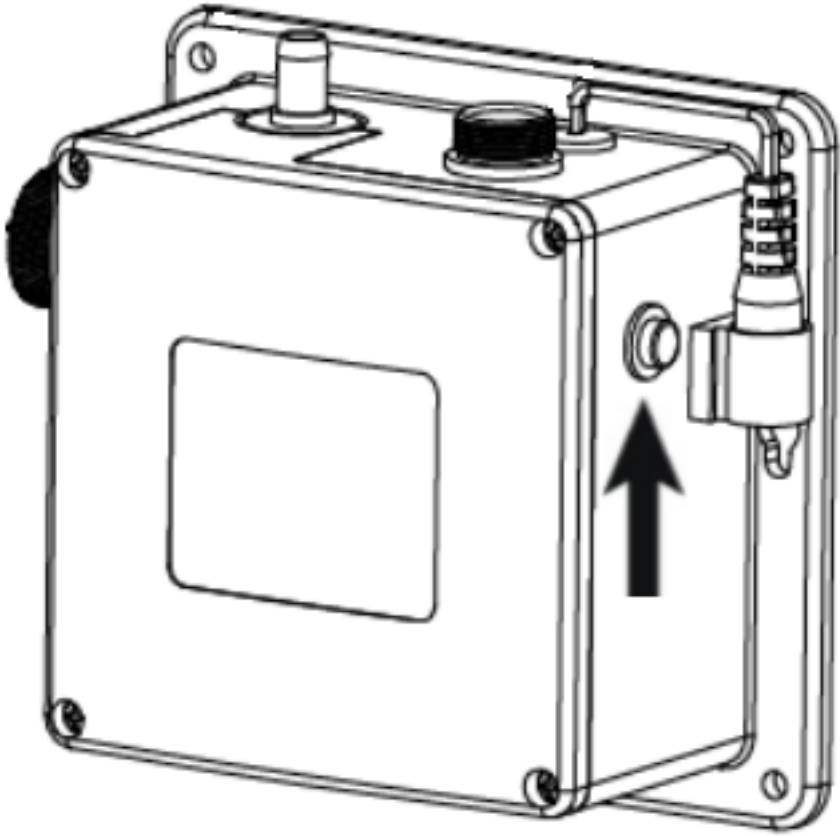
Connect the signal line to the control box.

# 8



- 7.1 Connect the transformer to the control box and plug the transformer into a GFI wall outlet.
- 7.2 Put in 4 x AA batteries into battery box.
- 7.3 Close the control box.

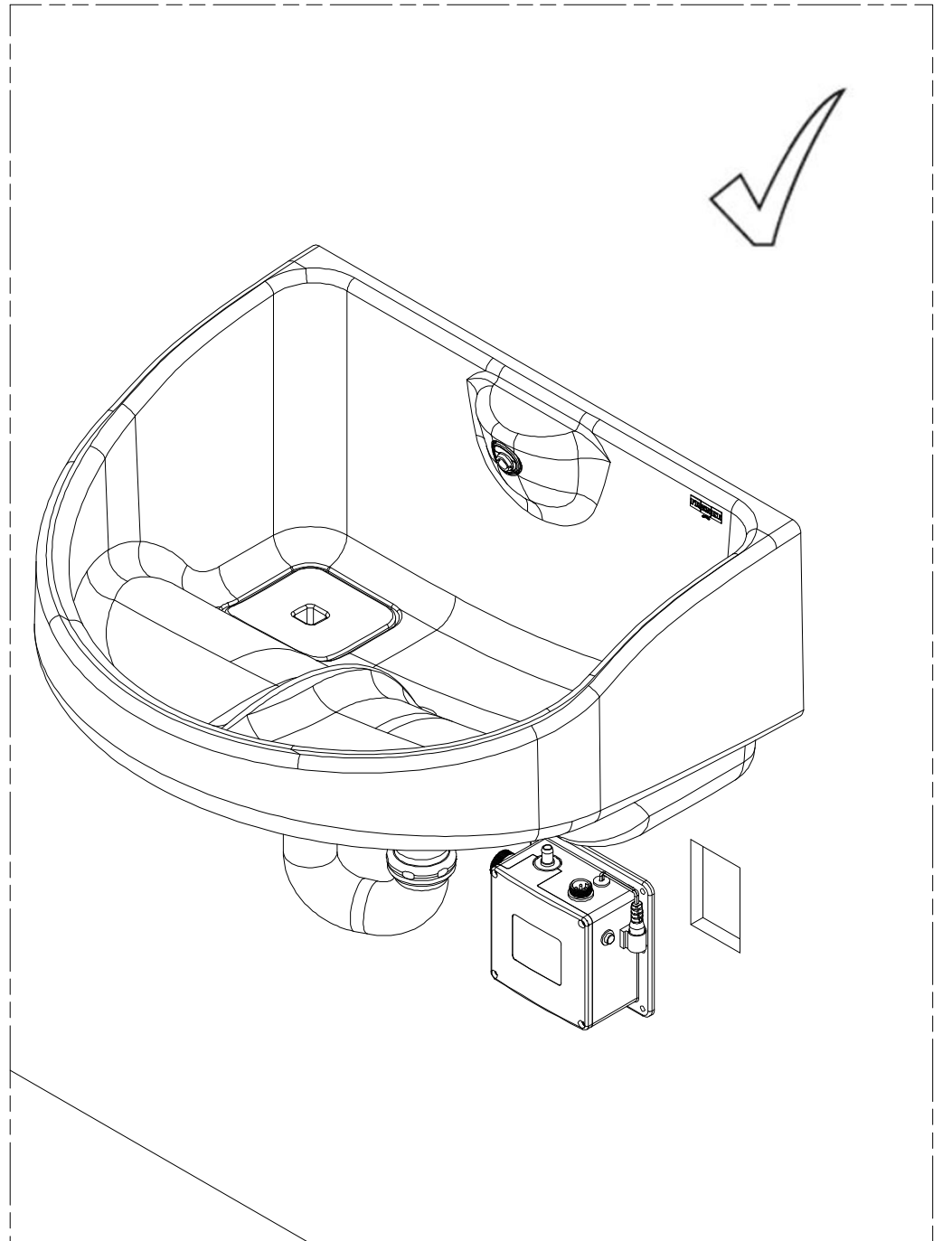
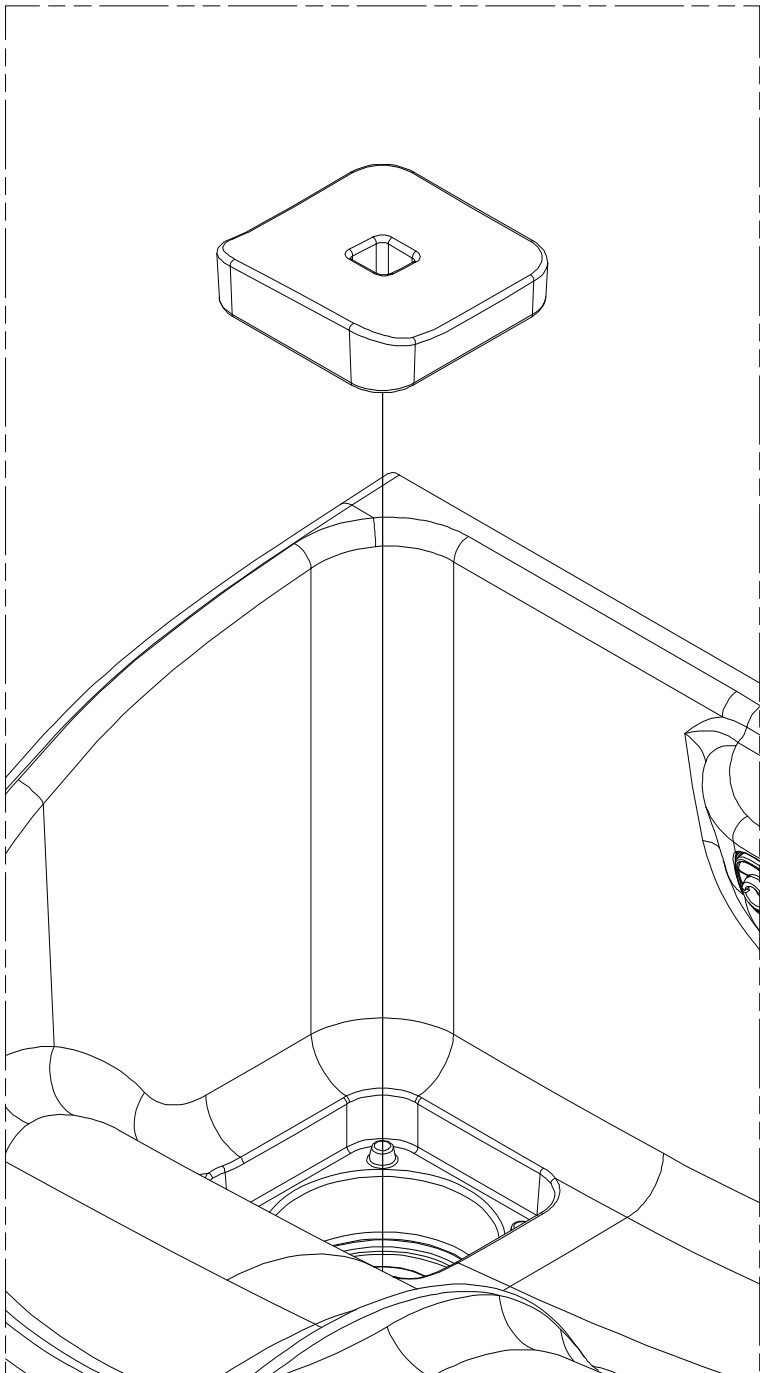
9



**Set sensor range (if necessary)**

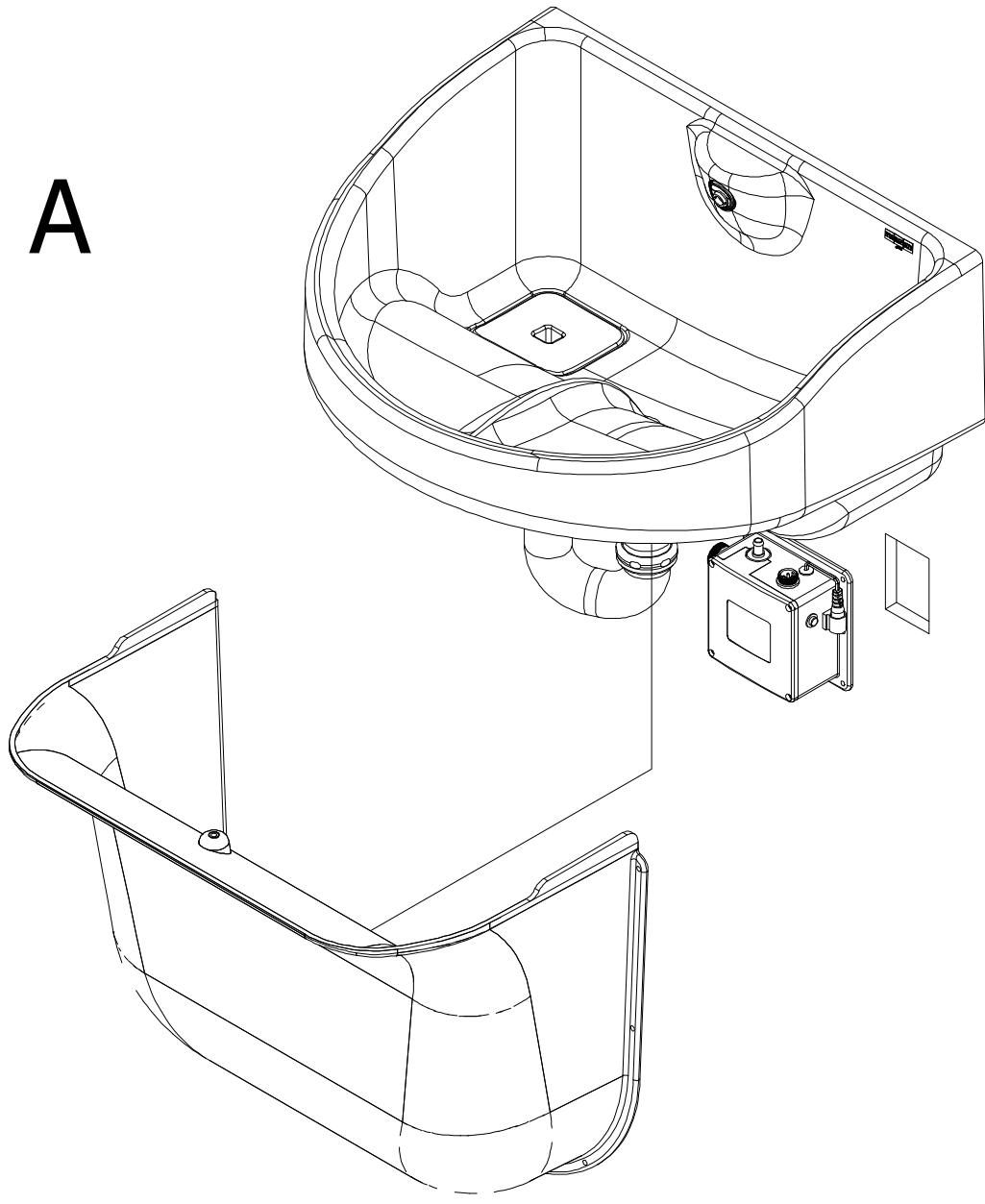
To set the sensor range, hold down the red reset button on the right hand side of the control box for 3 seconds. Place a hand in front of the sensor at a distance where you want the water flow to trigger. When the water turns on, the sensor has been set.

10

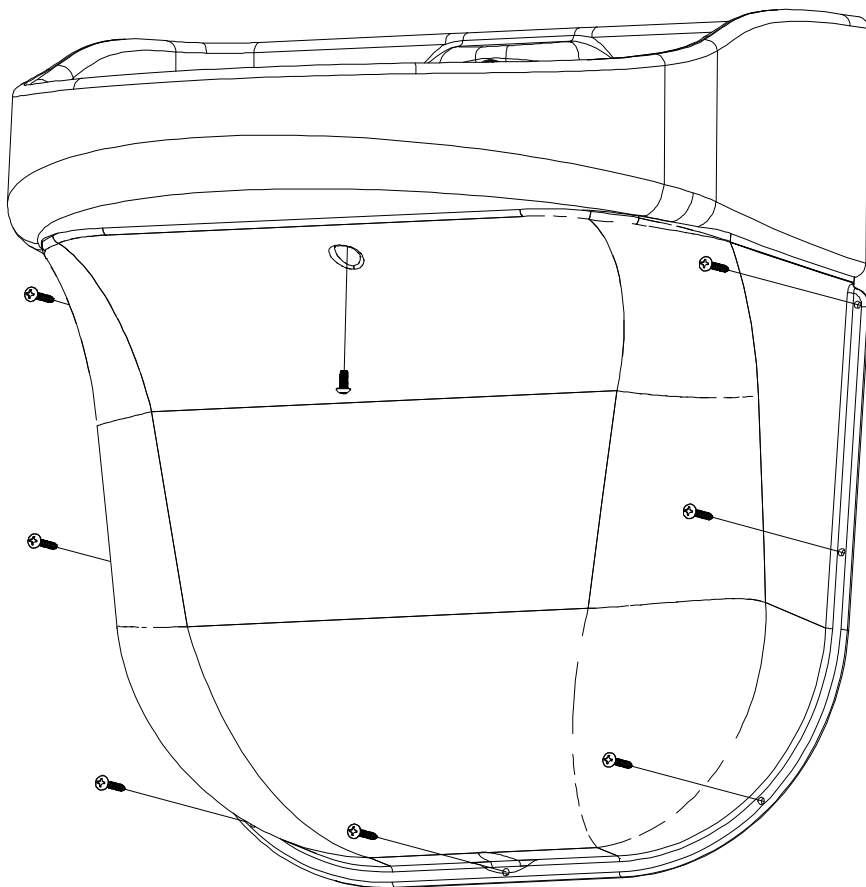


# 11

## A



## B



**Franke Kindred Canada Limited**

1000 Franke Kindred Road

Midland, ON L4R 4K9

Tel 1.855.446.5663

Fax 1.866.227.3050

Email: [commercial-info.ca@franke.com](mailto:commercial-info.ca@franke.com)

[www.franke-commercial.com](http://www.franke-commercial.com)

31422 0622

**FRANKE**

# 12 TROUBLESHOOTING

DESCRIPTION	CAUSE	RESOLUTION
No water out	Battery is dead	Change the battery
	Water supply cut off	Check supply lines
	Dirt in the filter	Clean the filter
	Water pressure too low	Increase water pressure
Water will not turn off	Dirt on the sensor window	Clean the sensor
Too little water flow	Water supply is turned down	Adjust water supply
	Filter is dirty	Clean the filter
	Water pressure is too low	Raise the pressure
Too much water flow	Water pressure is too high	Adjust pressure
The indicator light is not on	Battery is dead	Change the battery
	Poor connection of battery or power supply	Change batteries

# 13 GENERAL CLEANING

Use only soap, water and a soft cloth for cleaning. Clean sensor lens with non-abrasive materials only.